



AK4133

192kHz 24bit Sample Rate Converter

1. General Description

The AK4133 is an 2ch digital sample rate converter (SRC). It converts sample rate of the input audio source (from 8kHz to 192kHz) to 44.1kHz or 48kHz. The AK4133 has an internal Oscillator and does not need any external master clocks. It contributes simplifying a system configuration. The AK4133 is suitable for the application interfacing to different sample rates such as Car Audio Systems and DVD recorders.

2. Features

- | | | |
|--------------------------|---|--|
| <input type="checkbox"/> | 2 channels Input/Output | |
| <input type="checkbox"/> | Asynchronous Sample Rate Converter | |
| <input type="checkbox"/> | Input Sample Rate Range (FSI): | 8k ~ 192kHz |
| <input type="checkbox"/> | Output Sample Rate (FSO): | 44.1kHz, 48kHz |
| <input type="checkbox"/> | Input to Output Sample Rate Ratio: | FSO/FSI= 44.1/192~6 |
| <input type="checkbox"/> | THD+N: | Up to -100dB |
| <input type="checkbox"/> | Dynamic Range: | 110dB (A-weighted, Typ.) |
| <input type="checkbox"/> | I/F format: | MSB justified, I ² S compatible |
| <input type="checkbox"/> | Oscillator for Internal Operation Clock | |
| <input type="checkbox"/> | Clock for Master Mode: | 128/256/512fso |
| <input type="checkbox"/> | Soft Mute Function | |
| <input type="checkbox"/> | Power Supply: | DVDD= 3.0 ~ 3.6V or 1.7 ~ 1.9V(LDO OFF Mode) |
| <input type="checkbox"/> | Operating Temperature: | -40 ~ 105°C |
| <input type="checkbox"/> | Package: | 20-pin QFN 4mm x 4mm (0.5mm pitch) |

| |
|-----------------------------|
| 3. Table of Contents |
|-----------------------------|

| | |
|--|----|
| 1. General Description | 1 |
| 2. Features | 1 |
| 3. Table of Contents | 2 |
| 4. Block Diagram | 3 |
| 5. Pin Configurations and Functions | 3 |
| ■ Pin Layout | 3 |
| ■ Functions | 4 |
| ■ Handling of Unused Pin | 4 |
| 6. Absolute Maximum Ratings | 5 |
| 7. Recommended Operating Conditions..... | 5 |
| 8. SRC Characteristics..... | 6 |
| 9. Consumption Current..... | 7 |
| ■ Internal Regurator (VSEL pin= "L") | 7 |
| ■ External VD18 (VSEL pin= "H") | 7 |
| 10. Filter Characteristics..... | 8 |
| ■ Sharp Roll-Off Characteristics (SD pin= "L")..... | 8 |
| ■ Short Delay Sharp Roll-Off Filter Characteristics (SD pin= "H")..... | 9 |
| 11. DC Characteristics..... | 9 |
| 12. Switching Characteristics | 10 |
| ■ Clock..... | 10 |
| ■ Timing..... | 11 |
| ■ Timing Diagram | 12 |
| 13. Functional Description..... | 15 |
| ■ System Clock and Audio Interface Format for Input Port | 15 |
| ■ System Clock for Output PORT | 16 |
| ■ Audio Interface Format of the Output Port..... | 16 |
| ■ Soft Mute Function | 17 |
| ■ Regulator | 17 |
| ■ System Reset..... | 18 |
| ■ Clock Switch Sequence | 20 |
| ■ Internal Status Pin..... | 21 |
| ■ Grounding and Power Supply Decoupling | 21 |
| 14. Jitter Tolerance | 22 |
| 15. Recommended External Circuits..... | 23 |
| 16. Package..... | 24 |
| ■ Outline Dimensions | 24 |
| ■ Material & Lead Finish | 24 |
| ■ Marking..... | 24 |
| 17. Ordering Guide..... | 25 |
| IMPORTANT NOTICE | 26 |

4. Block Diagram

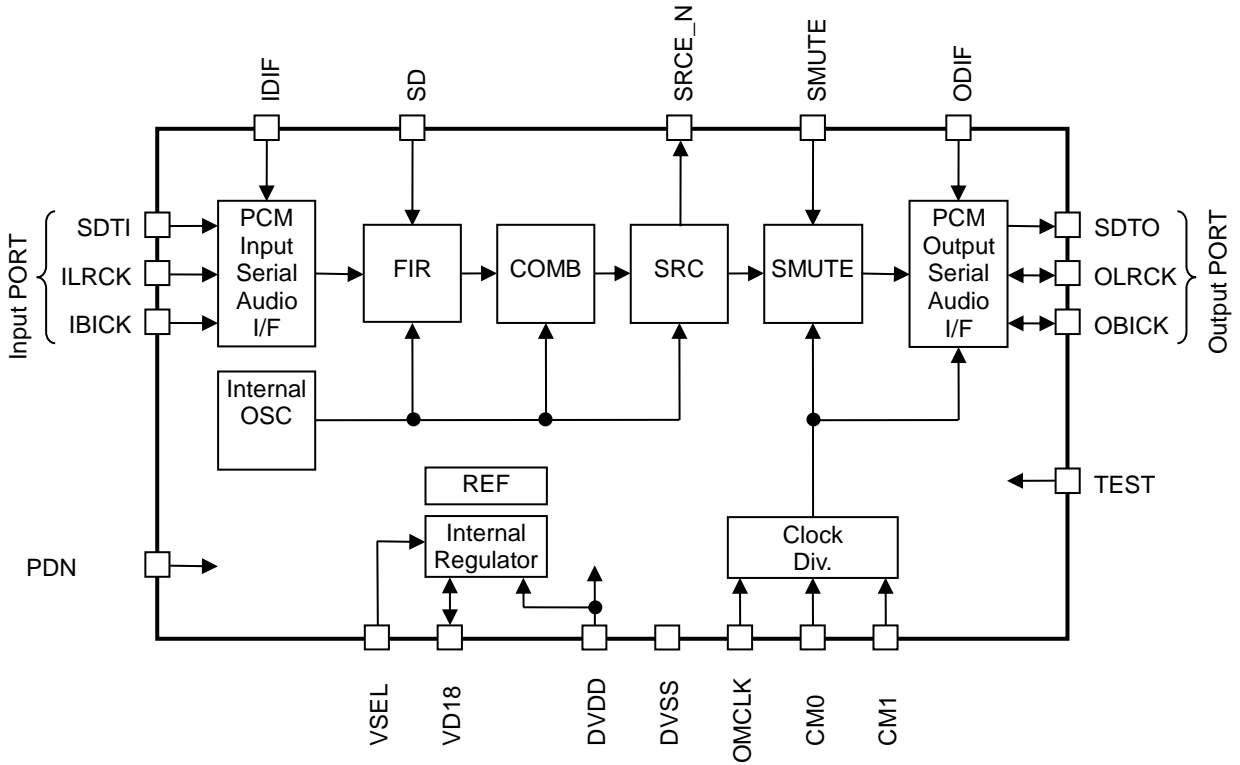


Figure 1. AK4133 Block Diagram

5. Pin Configurations and Functions

■ Pin Layout

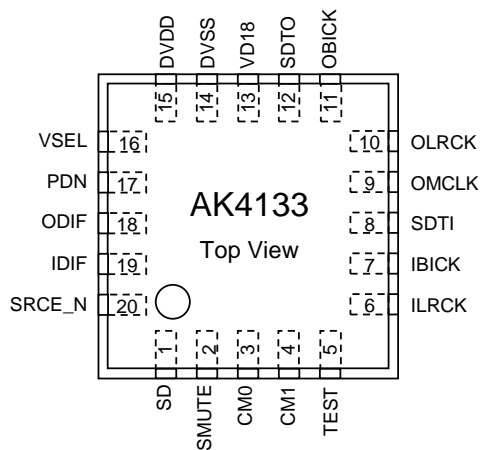


Figure 2. Pin Layout

■ Functions

| No. | Pin Name | I/O | Function | PDN= "L" Status |
|-----|----------|-----|--|-----------------|
| 1 | SD | I | Digital Filter Select Pin "H": Short Delay Sharp Roll-off Filter "L": Sharp Roll-off Filter | - |
| 2 | SMUTE | I | Soft Mute Pin When this pin is changed to "H", soft mute cycle is initiated. When returning "L", the output mute releases. | - |
| 3 | CM0 | I | Output Port Mode and OMCLK Frequency Select #0 Pin | - |
| 4 | CM1 | I | Output Port Mode and OMCLK Frequency Select #1 Pin | - |
| 5 | TEST | I | Test pin. Must be connected to DVSS in normal use. It has a pull-down resistor 100kΩ. | - |
| 6 | ILRCK | I | Channel Clock Input Pin for Input PORT | - |
| 7 | IBICK | I | Audio Serial Clock Input Pin for Input PORT | - |
| 8 | SDTI | I | Audio Serial Data Input Pin for Input PORT | - |
| 9 | OMCLK | I | External Master Clock Input | - |
| 10 | OLRCK | O | Channel Clock Output Pin for Output PORT in Master Mode | "L" |
| | | I | Channel Clock Input Pin for Output PORT in Slave Mode | - |
| 11 | OBICK | O | Audio Serial Clock Output Pin for Output PORT in Master Mode | "L" |
| | | I | Audio Serial Clock Input Pin for Output PORT in Slave Mode | - |
| 12 | SDTO | O | Audio Serial Data Output Pin for Output PORT | "L" |
| 13 | VD18 | I | Internal Digital Power Supply Pin, 1.7 ~ 1.9V (VSEL= "H") | - |
| | | O | Regulator Output Pin, Typ. 1.8V (VSEL= "L") Current must not be taken from this pin. A 10μF (±30%; including the temperature characteristics) capacitor should be connected between this pin and DVSS. When this capacitor is polarized, the positive polarity pin should be connected to the VD18 pin. | "L" |
| 14 | DVSS | - | Digital Ground Pin | - |
| 15 | DVDD | - | Digital Power Supply Pin, 3.0 ~ 3.6V or 1.7 ~ 1.9V | - |
| 16 | VSEL | I | Internal Digital Power Supply Select Pin "H": External Power Supply "L": Internal Regulator | - |
| 17 | PDN | I | Power-Down Mode Pin "H": Power up "L": Power down and reset The AK4133 should be reset once by bringing PDN pin = "L" upon power-up. | - |
| 18 | ODIF | I | Audio Interface Format Select Pin for Output PORT | - |
| 19 | IDIF | I | Audio Interface Format Select Pin for Input PORT | - |
| 20 | SRCE_N | O | Unlock Status Pin | "H" |

Note:

* 1. All input pins should not be allowed to float.

* 2. CM1-0, ODIF and IDIF pins must be changed when the PDN pin = "L".

■ Handling of Unused Pin

| Classification | Pin Name | Setting |
|----------------|----------|-----------------|
| Digital | SMUTE | Connect to DVSS |
| | OMCLK | Connect to DVSS |
| | SRCE_N | Open |

6. Absolute Maximum Ratings

(DVSS=0V; * 3)

| Parameter | | Symbol | Min. | Max. | Unit |
|---|------------------|--------|------|--------------------|------|
| Power Supplies | Digital | DVDD | -0.3 | 4.3 | V |
| | Internal Digital | VD18 | -0.3 | 2.5 | V |
| Input Current, Any Pin Except Supplies | | IIN | -10 | 10 | mA |
| Digital Input Voltage (* 4) | | VDIN | -0.3 | DVDD+0.3 or 4.3 | V |
| Ambient Temperature (Power applied) (* 5) | | Ta | -40 | 105 | °C |
| Storage Temperature | | Tstg | -65 | 150 | °C |

Note:

* 3. All voltages with respect to ground.

* 4. ILRCK, IBICK, SDTI, IDIF, SD, PDN, TEST, OMCLK, CM1-0, ODIF, OBICK (Slave Mode), OLRCK (Slave Mode), SMUTE and VSEL pins

* 5. PCB drawing density should be 100% or more.

WARNING: Operation at or beyond these limits may result in permanent damage to the device.
Normal operation is not guaranteed at these extremes.

7. Recommended Operating Conditions

(DVSS=0V; * 3; VSEL= "L")

| Parameter | | Symbol | Min. | Typ. | Max. | Unit |
|----------------|---------|--------|------|------|------|------|
| Power Supplies | Digital | DVDD | 3.0 | 3.3 | 3.6 | V |

Note:

* 3. All voltages with respect to ground.

(DVSS=0V; * 3; VSEL= "H")

| Parameter | | Symbol | Min. | Typ. | Max. | Unit |
|-------------------------|------------------|-----------|------|------|------|------|
| Power Supplies (* 6) | Digital | DVDD | 1.7 | 1.8 | 1.9 | V |
| | Internal Digital | VD18 | 1.7 | 1.8 | 1.9 | V |
| | Difference | DVDD-VD18 | | 0 | | V |

Note:

* 3. All voltages with respect to ground.

* 6. DVDD and VD18 must be connected externally.

* AKM assumes no responsibility for the usage beyond the conditions in this data sheet.

| |
|-------------------------------|
| 8. SRC Characteristics |
|-------------------------------|

(Ta= -40 ~ 105°C; DVDD= 3.0 ~ 3.6V at VSEL pin= "L" or DVDD= VD18= 1.7 ~ 1.9V at VSEL pin= "H"; DVSS= 0V; Signal Frequency= 1kHz; measurement bandwidth = 20Hz ~ FSO/2; unless otherwise specified.)

| Parameter | Symbol | Min. | Typ. | Max. | Unit |
|---|---------|----------|------|------|------|
| Input Sample Rate | FSI | 8 | | 192 | kHz |
| Output Sample Rate | FSO | 44.1 | | 48 | kHz |
| THD+N (Input= 1kHz, 0dBFS, * 7) | | | | | |
| FSO/FSI= 48kHz/48kHz | | - | -111 | - | dB |
| FSO/FSI= 44.1kHz/48kHz | | - | -106 | - | dB |
| FSO/FSI= 48kHz/192kHz | | - | -111 | - | dB |
| Worst Case (FSO/FSI= 44.1kHz/96kHz) | | - | - | -105 | dB |
| Dynamic Range (Input= 1kHz, -60dBFS, * 7) | | | | | |
| FSO/FSI= 48kHz/48kHz | | - | 112 | - | dB |
| FSO/FSI= 44.1kHz/48kHz | | - | 112 | - | dB |
| FSO/FSI= 48kHz/192kHz | | - | 112 | - | dB |
| Worst Case (FSO/FSI= 44.1kHz/192kHz) | | 111 | - | - | dB |
| Dynamic Range (Input= 1kHz, -60dBFS, A-weighted, * 7) | | | | | |
| FSO/FSI= 48kHz/48kHz | | - | 115 | - | dB |
| Ratio between Input and Output Sample Rate | FSO/FSI | 44.1/192 | | 6 | - |

Note:

* 7. Measured by Audio Precision, System Two.

| |
|-------------------------------|
| 9. Consumption Current |
|-------------------------------|

■ **Internal Regulator (VSEL pin= “L”)**

(Ta= -40 ~ 105°C)

| Parameter | Symbol | Min. | Typ. | Max. | Unit |
|--|--------|------|------|------|------|
| Power Supply Current | | | | | |
| Normal operation: | | | | | |
| FSI= FSO= 48kHz at Master Mode : | | | | | |
| DVDD= 3.3V | | - | 6 | - | mA |
| DVDD= 3.6V | | - | - | 8 | mA |
| FSI= 96kH, FSO= 48kHz at Master Mode : | | | | | |
| DVDD=3.3V | | - | 10 | - | mA |
| DVDD=3.6V | | - | - | 12 | mA |
| FSI= 192kH, FSO= 48kHz at Master Mode : | | | | | |
| DVDD=3.3V | | - | 16 | - | mA |
| DVDD=3.6V | | - | - | 18 | mA |
| Power down: PDN = “L” (* 8) DVDD=3.6V | | - | 10 | 100 | μA |

Note:

* 8. All digital input pins including clock pins are connected to DVSS.

■ **External VD18 (VSEL pin= “H”)**

(Ta= -40 ~ 105°C)

| Parameter | Symbol | Min. | Typ. | Max. | Unit |
|---|--------|------|------|------|------|
| Power Supply Current | | | | | |
| Normal operation: | | | | | |
| FSI=FSO=48kHz at Master Mode: | | | | | |
| DVDD=VD18=1.8V | | - | 6 | - | mA |
| DVDD=VD18=1.9V | | - | - | 8 | mA |
| FSI=96kH, FSO=48kHz at Master Mode: | | | | | |
| DVDD=VD18=1.8V | | - | 10 | - | mA |
| DVDD=VD18=1.9V | | - | - | 12 | mA |
| FSI=192kH, FSO=48kHz at Master Mode: | | | | | |
| DVDD=VD18=1.8V | | - | 16 | - | mA |
| DVDD=VD18=1.9V | | - | - | 18 | mA |
| Power down: PDN = “L” (* 9) DVDD=VD18=1.9V | | | 10 | 100 | μA |

Note:

* 9. Except the VSELL pin, all digital input pins including clock pins are connected to DVSS.

| |
|-----------------------------------|
| 10. Filter Characteristics |
|-----------------------------------|

■ Sharp Roll-Off Characteristics (SD pin= "L")

(Ta= -40 ~ 105°C; DVDD= 3.0 ~ 3.6V at VSEL pin= "L" or DVDD= VD18= 1.7 ~ 1.9V at VSEL pin= "H"; DVSS= 0V)

| Parameter | | Symbol | Min. | Typ. | Max. | Unit |
|-------------------------|---|--------|-----------|------|-----------|------|
| Digital Filter | | | | | | |
| Passband -0.01dB | $0.985 \leq \text{FSO/FSI} \leq 6.000$ | PB | 0 | - | 0.4583FSI | kHz |
| | $0.714 \leq \text{FSO/FSI} < 0.985$ | PB | 0 | - | 0.4167FSI | kHz |
| | $0.536 \leq \text{FSO/FSI} < 0.714$ | PB | 0 | - | 0.2182FSI | kHz |
| | $0.492 \leq \text{FSO/FSI} < 0.536$ | PB | 0 | - | 0.2177FSI | kHz |
| | $0.324 \leq \text{FSO/FSI} < 0.492$ | PB | 0 | - | 0.1948FSI | kHz |
| | $0.246 \leq \text{FSO/FSI} < 0.324$ | PB | 0 | - | 0.0917FSI | kHz |
| | $0.1667 \leq \text{FSO/FSI} < 0.246$ | PB | 0 | - | 0.0826FSI | kHz |
| Stopband | $0.985 \leq \text{FSO/FSI} \leq 6.000$ | SB | 0.5417FSI | - | - | kHz |
| | $0.714 \leq \text{FSO/FSI} < 0.985$ | SB | 0.5021FSI | - | - | kHz |
| | $0.536 \leq \text{FSO/FSI} < 0.714$ | SB | 0.2974FSI | - | - | kHz |
| | $0.492 \leq \text{FSO/FSI} < 0.536$ | SB | 0.2813FSI | - | - | kHz |
| | $0.324 \leq \text{FSO/FSI} < 0.492$ | SB | 0.2604FSI | - | - | kHz |
| | $0.246 \leq \text{FSO/FSI} < 0.324$ | SB | 0.1573FSI | - | - | kHz |
| | $0.1667 \leq \text{FSO/FSI} < 0.246$ | SB | 0.1471FSI | - | - | kHz |
| Passband Ripple | $0.1667 \leq \text{FSO/FSI} \leq 6.000$ | PR | | - | ±0.01 | dB |
| Stopband Attenuation | $0.985 \leq \text{FSO/FSI} \leq 6.000$ | SA | -92.2 | - | - | dB |
| | $0.714 \leq \text{FSO/FSI} < 0.985$ | SA | -92.2 | - | - | dB |
| | $0.536 \leq \text{FSO/FSI} < 0.714$ | SA | -92.8 | - | - | dB |
| | $0.492 \leq \text{FSO/FSI} < 0.536$ | SA | -91.9 | - | - | dB |
| | $0.324 \leq \text{FSO/FSI} < 0.492$ | SA | -92.7 | - | - | dB |
| | $0.246 \leq \text{FSO/FSI} < 0.324$ | SA | -93.9 | - | - | dB |
| | $0.1667 \leq \text{FSO/FSI} < 0.246$ | SA | -92.1 | - | - | dB |
| Group Delay (* 10) | | GD | - | 60 | - | 1/fs |

Note:

* 10. This value is the time from a rising edge of LRCK after L/R data is input to a rising edge of LRCK before the L/R data is output when there is no phase difference between the input and the output data.

■ Short Delay Sharp Roll-Off Filter Characteristics (SD pin= "H")

(Ta= -40 ~ 105°C; DVDD= 3.0 ~ 3.6V at VSEL pin= "L" or DVDD= VD18= 1.7 ~ 1.9V at VSEL pin= "H"; DVSS= 0V)

| Parameter | Symbol | Min. | Typ. | Max | Unit | |
|-------------------------|---|------|-----------|-----|-----------|------|
| Digital Filter | | | | | | |
| Passband -0.01dB | $0.985 \leq \text{FSO/FSI} \leq 6.000$ | PB | 0 | - | 0.4583FSI | kHz |
| | $0.714 \leq \text{FSO/FSI} < 0.985$ | PB | 0 | - | 0.4167FSI | kHz |
| | $0.536 \leq \text{FSO/FSI} < 0.714$ | PB | 0 | - | 0.2182FSI | kHz |
| | $0.492 \leq \text{FSO/FSI} < 0.536$ | PB | 0 | - | 0.2177FSI | kHz |
| | $0.324 \leq \text{FSO/FSI} < 0.492$ | PB | 0 | - | 0.1948FSI | kHz |
| | $0.246 \leq \text{FSO/FSI} < 0.324$ | PB | 0 | - | 0.0917FSI | kHz |
| | $0.1667 \leq \text{FSO/FSI} < 0.246$ | PB | 0 | - | 0.0826FSI | kHz |
| Stopband | $0.985 \leq \text{FSO/FSI} \leq 6.000$ | SB | 0.5417FSI | - | - | kHz |
| | $0.714 \leq \text{FSO/FSI} < 0.985$ | SB | 0.5021FSI | - | - | kHz |
| | $0.536 \leq \text{FSO/FSI} < 0.714$ | SB | 0.2974FSI | - | - | kHz |
| | $0.492 \leq \text{FSO/FSI} < 0.536$ | SB | 0.2813FSI | - | - | kHz |
| | $0.324 \leq \text{FSO/FSI} < 0.492$ | SB | 0.2604FSI | - | - | kHz |
| | $0.246 \leq \text{FSO/FSI} < 0.324$ | SB | 0.1573FSI | - | - | kHz |
| | $0.1667 \leq \text{FSO/FSI} < 0.246$ | SB | 0.1471FSI | - | - | kHz |
| Passband Ripple | $0.1667 \leq \text{FSO/FSI} \leq 6.000$ | PR | | - | ±0.01 | dB |
| Stopband Attenuation | $0.985 \leq \text{FSO/FSI} \leq 6.000$ | SA | -92.8 | - | - | dB |
| | $0.714 \leq \text{FSO/FSI} < 0.985$ | SA | -93.5 | - | - | dB |
| | $0.536 \leq \text{FSO/FSI} < 0.714$ | SA | -94.5 | - | - | dB |
| | $0.492 \leq \text{FSO/FSI} < 0.536$ | SA | -92.9 | - | - | dB |
| | $0.324 \leq \text{FSO/FSI} < 0.492$ | SA | -92.0 | - | - | dB |
| | $0.246 \leq \text{FSO/FSI} < 0.324$ | SA | -94.4 | - | - | dB |
| | $0.1667 \leq \text{FSO/FSI} < 0.246$ | SA | -93.8 | - | - | dB |
| Group Delay (* 10) | | GD | - | 18 | - | 1/fs |

Note:

* 10. This value is the time from a rising edge of LRCK after L/R data is input to a rising edge of LRCK before the L/R data is output when there is no phase difference between the input and the output data.

11. DC Characteristics

(Ta= -40 ~ 105°C; DVDD= 3.0 ~ 3.6V at VSEL pin= "L" or DVDD= VD18= 1.7 ~ 1.9V at VSEL pin= "H"; DVSS= 0V)

| Parameter | Symbol | Min. | Typ. | Max. | Unit |
|--|-----------------------------|----------|------|---------|------|
| High-Level Input Voltage (* 11) | VIH | 70%DVDD | - | - | V |
| Low-Level Input Voltage (* 11) | VIL | - | - | 30%DVDD | V |
| High-Level Output Voltage (Iout=-400μA) (* 12) | VOH | DVDD-0.4 | - | - | V |
| Low-Level Output Voltage (Iout= 400μA) (* 12) | VOL | - | - | 0.4 | V |
| Input Leakage Current | (* 11, Except TEST pin) | -10 | - | 10 | μA |
| | TEST pin 100kΩ Pull down | -10 | | 72 | μA |

Notes:

* 11. ILRCK, IBICK, SDTI, IDIF, SD, PDN, TEST, OMCLK, CM0, CM1, ODIF, OBICK (Slave Mode), OLRCK (Slave Mode), SMUTE and VSEL pins

* 12. SRCE_N, SDTO, OBICK (Master Mode) and OLRCK (Master Mode) pins

| |
|--------------------------------------|
| 12. Switching Characteristics |
|--------------------------------------|

■ **Clock**

(Ta= -40 ~ 105°C; DVDD= 3.0 ~ 3.6V at VSEL pin= "L" or DVDD= VD18= 1.7 ~ 1.9V at VSEL pin= "H";
 CL= 20pF)

| Parameter | Symbol | Min. | Typ. | Max. | Unit |
|--|--------|---------|------|--------|------|
| Master Clock Input (OMCLK) | | | | | |
| 128 FSO: | | | | | |
| Frequency | fCLK | 5.6448 | - | 6.144 | MHz |
| Pulse Width Low | tCLKL | 80 | - | - | ns |
| Pulse Width High | tCLKH | 80 | - | - | ns |
| 256 FSO: | | | | | |
| Frequency | fCLK | 11.2896 | - | 12.288 | MHz |
| Pulse Width Low | tCLKL | 40 | - | - | ns |
| Pulse Width High | tCLKH | 40 | - | - | ns |
| 512 FSO: | | | | | |
| Frequency | fCLK | 22.5792 | - | 24.576 | MHz |
| Pulse Width Low | tCLKL | 20 | - | - | ns |
| Pulse Width High | tCLKH | 20 | - | - | ns |
| Channel Clock for Input Port (ILRCK) | | | | | |
| Frequency | | | | | |
| Normal speed Mode | FSIN | 8 | - | 54 | kHz |
| Double speed Mode | FSID | 54 | - | 108 | kHz |
| Quad speed Mode | FSIQ | 108 | - | 192 | kHz |
| Duty Cycle | dILRCK | 48 | 50 | 52 | % |
| Channel Clock for Output Port (OLRCK) | | | | | |
| Slave Mode | | | | | |
| Frequency | FSO | 44.1 | - | 48 | kHz |
| Master Mode | | | | | |
| Frequency | | | | | |
| OMCLK Input 128FSO Mode | FSO | 44.1 | - | 48 | kHz |
| OMCLK Input 256FSO Mode | FSO | 44.1 | - | 48 | kHz |
| OMCLK Input 512FSO Mode | FSO | 44.1 | - | 48 | kHz |
| Duty Cycle Slave Mode | dOLRCK | 48 | 50 | 52 | % |
| Duty Cycle Master Mode | dOLRCK | - | 50 | - | % |

■ Timing

(Ta=-40~+105°C; DVDD=3.0~3.6V at VSEL pin="L" or DVDD=VD18=1.7V~1.9V at VSEL pin="H";
C_L=20pF)

| Parameter | Symbol | Min. | Typ. | Max | Unit | |
|--|-------------------|--------|------------|-----|------|----|
| Audio Interface Timing | | | | | | |
| Input PORT | | | | | | |
| IBICK Period | Normal speed Mode | tIBCK | 1/256 FSIN | - | - | ns |
| | Double speed Mode | tIBCK | 1/128 FSID | - | - | ns |
| | Quad speed Mode | tIBCK | 1/64 FSIQ | - | - | ns |
| IBICK Pulse Width Low | tIBCKL | 27 | - | - | ns | |
| IBICK Pulse Width High | tIBCKH | 27 | - | - | ns | |
| ILRCK Edge to IBICK "↑" (* 13) | tILRB | 15 | - | - | ns | |
| IBICK "↑" to ILRCK Edge (* 13) | tIBLR | 15 | - | - | ns | |
| SDTI Hold Time from IBICK "↑" | tISDH | 15 | - | - | ns | |
| SDTI Setup Time to IBICK "↑" | tISDS | 15 | - | - | ns | |
| Output PORT (Slave Mode) | | | | | | |
| OBICK Period | Normal speed Mode | tOBCK | 1/256 FSON | - | - | ns |
| OBICK Pulse Width Low | | tOBCKL | 27 | - | - | ns |
| OBICK Pulse Width High | | tOBCKH | 27 | - | - | ns |
| OLRCK Edge to OBICK "↑" (* 13) | | tOLRB | 20 | - | - | ns |
| OBICK "↑" to OLRCK Edge (* 13) | | tOBLR | 20 | - | - | ns |
| OLRCK to SDTO(MSB) (Except I ² S Mode) | | tOLRS | - | 20 | ns | |
| OBICK "↓" to SDTO | | tOBSD | - | 20 | ns | |
| Output PORT (Master Mode) | | | | | | |
| OBICK Frequency | fOBCK | - | 64 FSO | - | Hz | |
| OBICK Duty | dOBCK | - | 50 | - | % | |
| OBICK "↓" to OLRCK Edge | tOMBLR | -20 | - | 20 | ns | |
| OBICK "↓" to SDTO | tOBSD | -20 | - | 20 | ns | |
| Reset Timing | | | | | | |
| PDN Pulse Width (* 14) | tPD | 150 | - | - | ns | |
| PDN pin Pulse Width of Spike Noise Suppressed by Input Filter (* 15) | tPDS | 0 | - | 50 | ns | |

Notes:

- * 13. BICK rising edge must not occur at the same time as LRCK edge.
- * 14. The AK4133 can be rest by bringing the PDN pin = "L".
- * 15. Spike noise width of "L" pulse suppressed by input filter of the PDN pin.

■ Timing Diagram

Master Clock

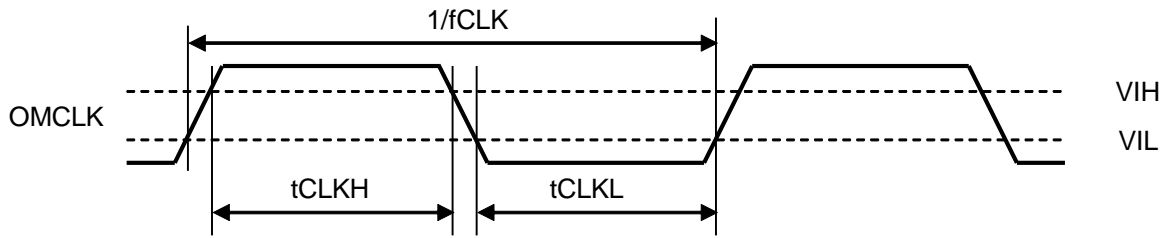


Figure 3. OMCLK Clock Timing

Input Port Clock

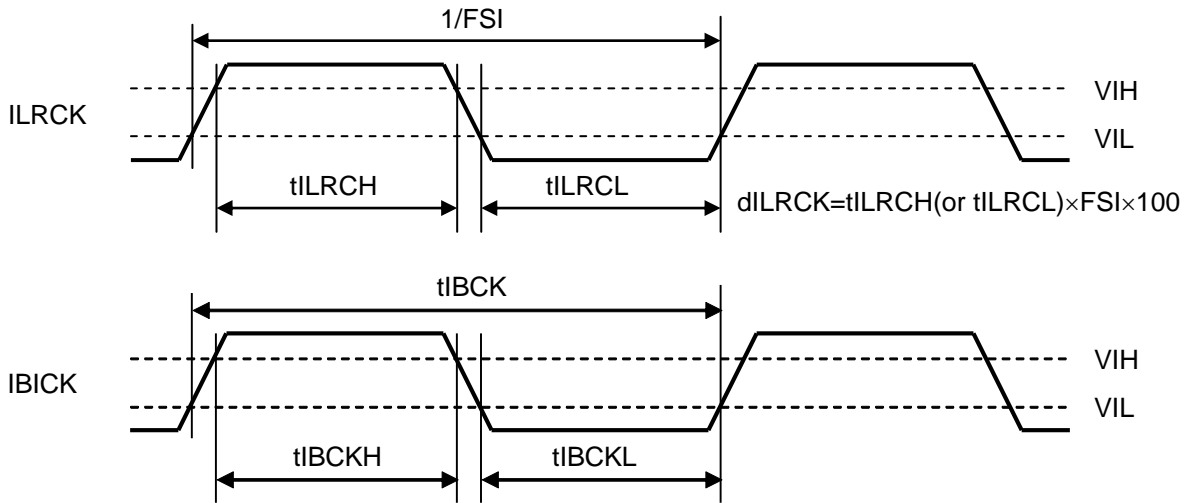


Figure 4. ILRCK, IBICK Clock Timing

Input Port Timing

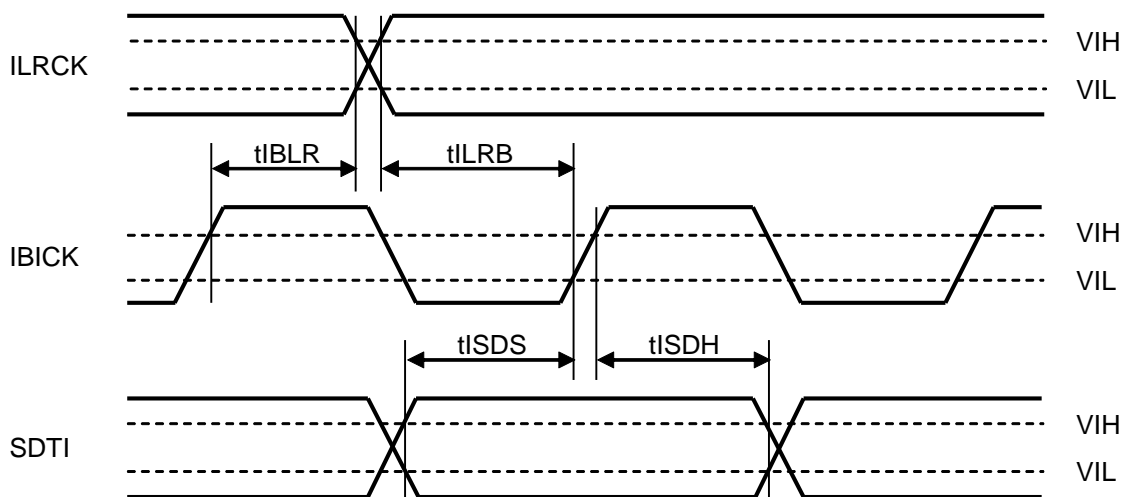


Figure 5. Input PORT Audio Interface Timing (Slave Mode)

Output Port Clock (Slave Mode)

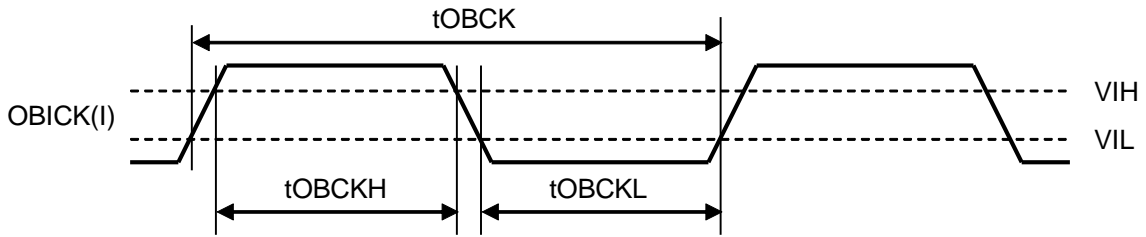
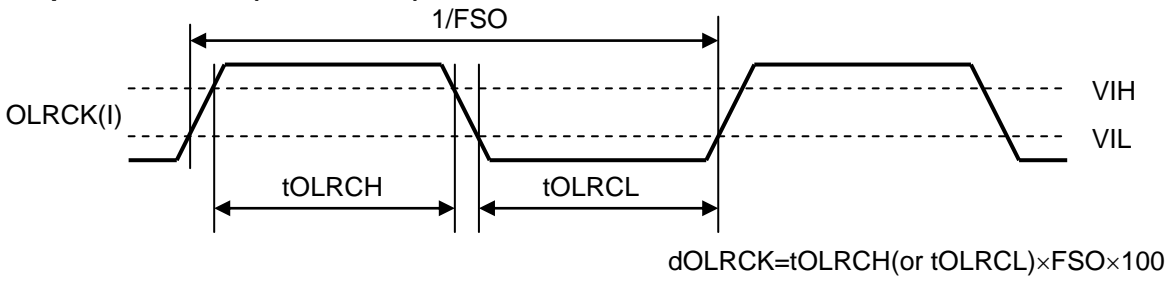


Figure 6. OLRCK, OBICK Clock Timing (Slave Mode)

Output Port Timing (Slave Mode)

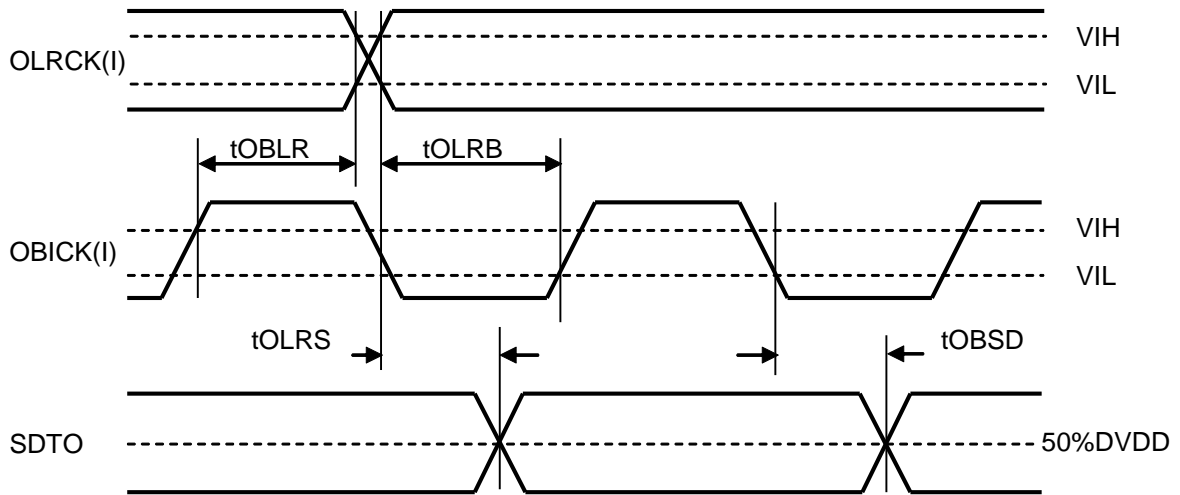


Figure 7. Output PORT Audio Interface Timing (Slave Mode)

Output Port Clock (Master Mode)

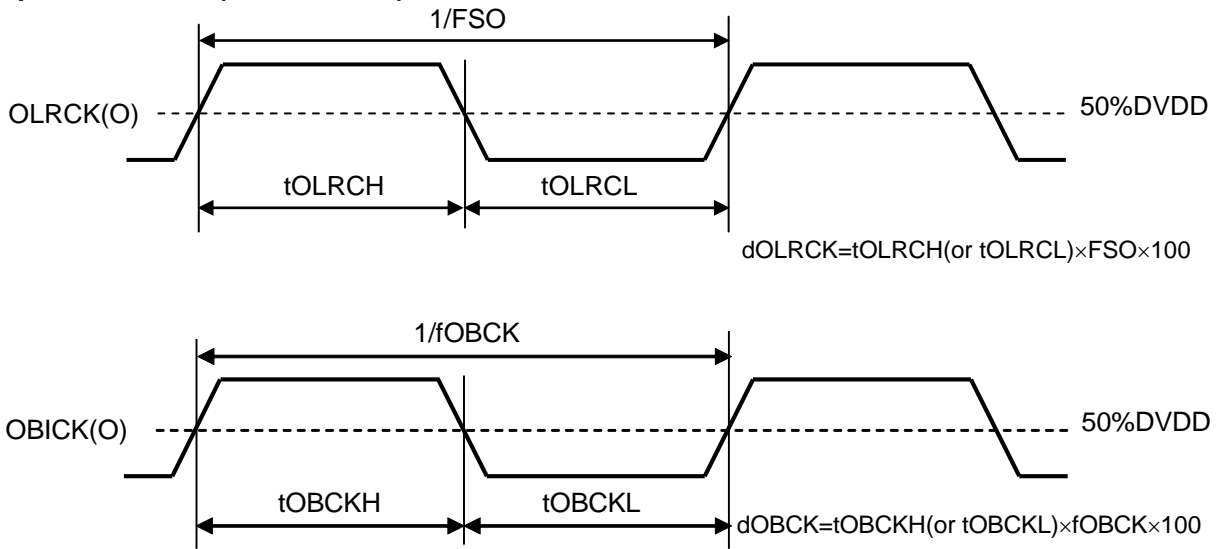


Figure 8. OLRCK, OBICK Clock Timing (Master Mode)

Output Port Timing (Master Mode)

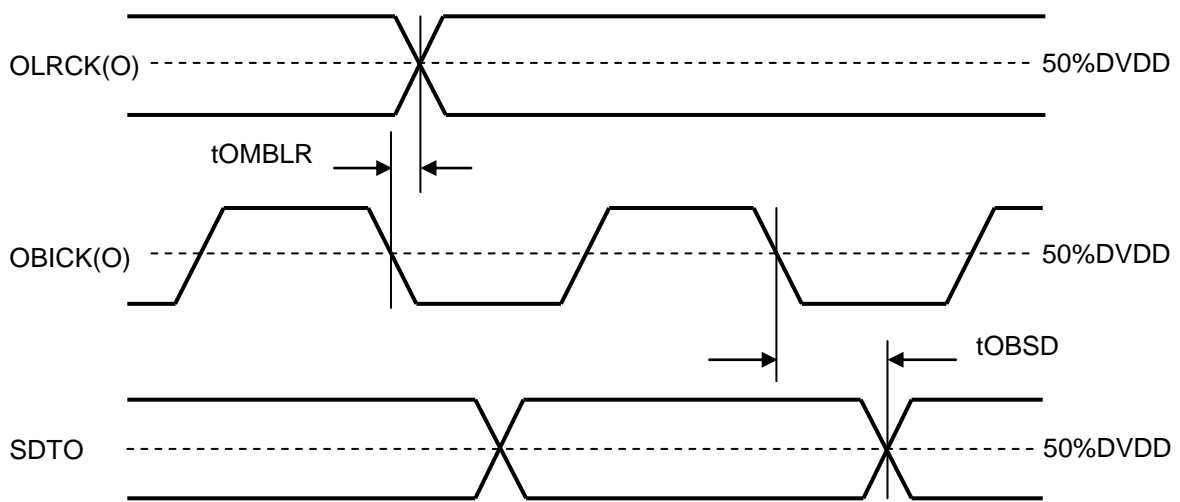


Figure 9. Output PORT Audio Interface Timing (Master Mode)

Power-down Timing

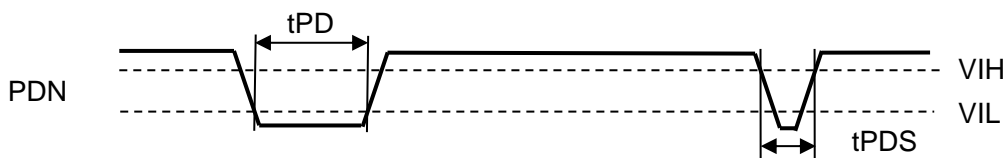


Figure 10. Power Down and Reset Pulse

13. Functional Description

■ System Clock and Audio Interface Format for Input Port

The audio interface format is controlled by the IDIF pin. The data format is MSB first in 2's complement. The SDTI input data is clocked in on a rising edge of the IBICK. The audio interface format of the input port should be changed while the PDN pin = "L".

Table 1. Input PORT Audio Interface Format

| Mode | IDIF Pin | SDTI Format | ILRCK | IBICK | IBICK Frequency |
|------|----------|---|-------|-------|---------------------|
| 0 | L | 24-bit, MSB justified | Input | Input | 256FSI ≥ or ≥ 64FSI |
| 1 | H | 24 or 16-bit, I ² S Compatible | | | 256FSI ≥ or ≥ 64FSI |
| | | 16-bit, I ² S Compatible | | | 32FSI (* 16) |

Note:

* 16. When IBICK = 32FSI, only 16-bit I²S Compatible is supported.

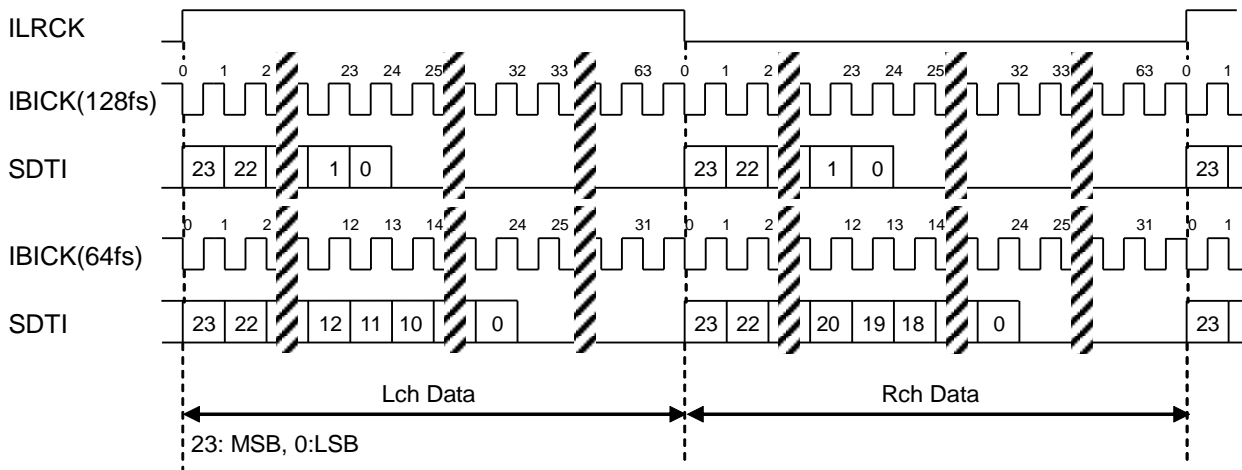


Figure 11. Mode0 Timing (24-bit MSB)

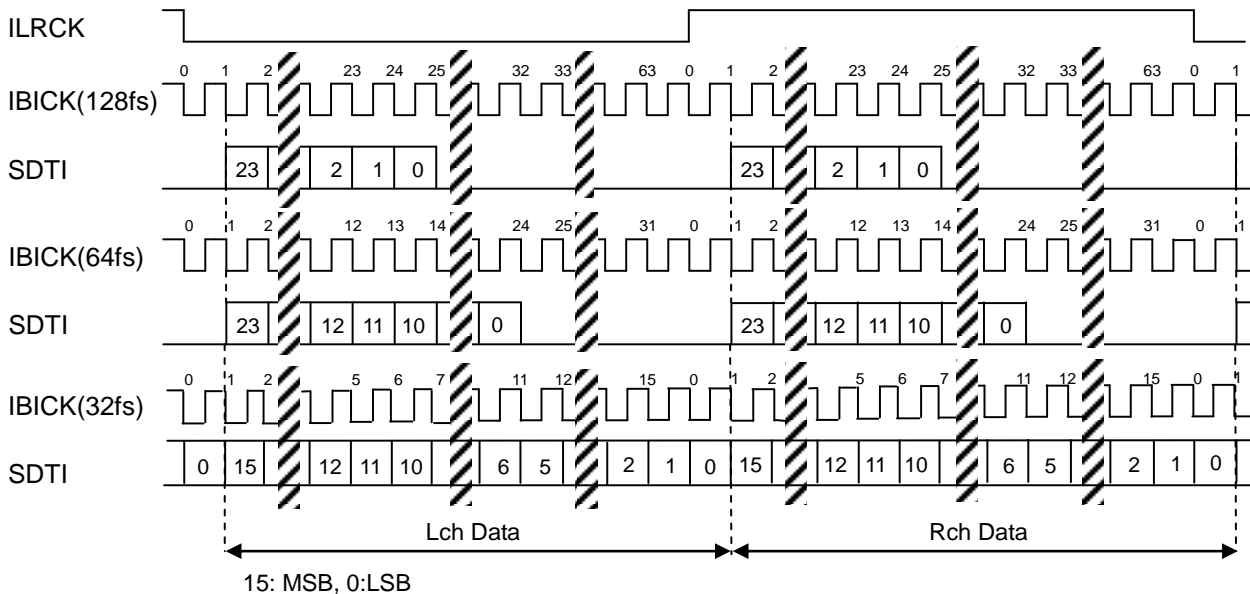


Figure 12. Mode1 Timing (24-bit/16-bit I²S)

■ System Clock for Output PORT

The output ports work in both master mode and slave mode. In master mode, the output port is operated with OLRCK and OBICK generated from OMCLK. OLRCK and OBICK clocks are output from the OLRCK pin and OBICK pin, respectively. In slave mode, the output port is operated by input clocks from the OLRCK pin and the OBICK pin. The OMCLK pin is not used in slave mode. It must be connected to DVSS.

The CM1-0 pins select master or slave mode.

Table 2. Output PORT Master/Slave Mode Control (AK4133)

| Mode | CM1 pin | CM0 pin | Master / Slave | OMCLK Frequency | FSO |
|------|---------|---------|----------------|------------------|----------------|
| 0 | L | L | Master | 256FSO | 44.1kHz, 48kHz |
| 1 | L | H | Slave | Not used. (* 17) | 44.1kHz, 48kHz |
| 2 | H | L | Master | 512FSO | 44.1kHz, 48kHz |
| 3 | H | H | Master | 128FSO | 44.1kHz, 48kHz |

Note:

* 17. The OMCLK pin must be connected to DVSS in slave mode.

■ Audio Interface Format of the Output Port

The ODIF pin controls the audio interface mode of the output port. The data format is MSB first in 2's complement. The data is output on a falling edge of OBICK from the SDTO pin. The audio interface format of the output port should be changed while the PDN pin = "L".

Table 3. Output PORT Audio Interface Format

| Mode | ODIF pin | SDTO Format | OBICK (Slave) | OBICK (Master) |
|------|----------|-----------------------------|----------------|----------------|
| 0 | L | MSB justified | ≥ 48fs or 32fs | 64fs |
| 1 | H | I ² S Compatible | ≥ 48fs or 32fs | 64fs |

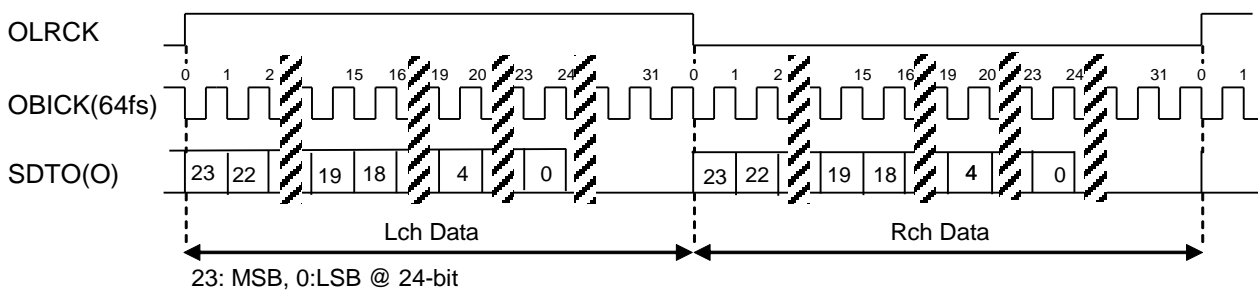


Figure 13. Mode 0 MSB Justified Timing

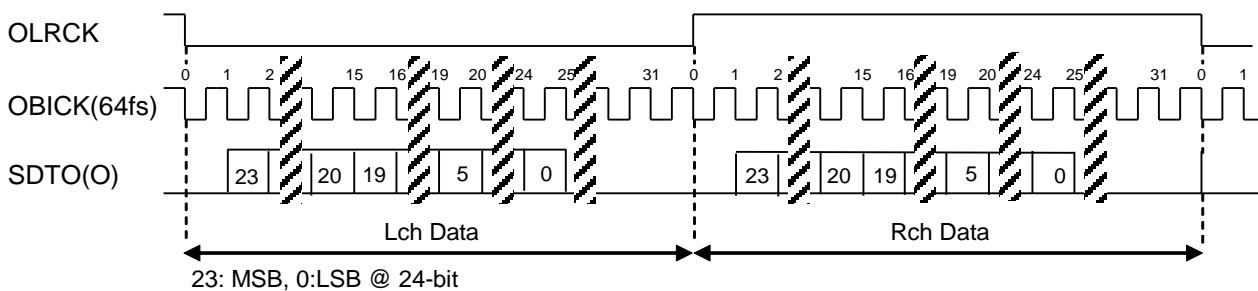


Figure 14. Mode1 I²S Compatible Timing

■ Soft Mute Function

The AK4133 has soft mute function. Soft mute operation is controlled by the SMUTE pin. If the SMUTE pin is set to "H", the SRC output data is attenuated to $-\infty$ dB ("0") in 1024 OLRCK cycles. When the SMUTE pin is returned to "L", the mute is cancelled and the output attenuation level gradually changes to 0dB in 1024 OLRCK cycles. If the soft mute is cancelled before attenuating to $-\infty$ dB after starting soft mute operation, attenuation is discontinued and the attenuation level is returned to 0dB by the same cycle. Soft mute is effective for changing the signal source without stopping the signal transmission.

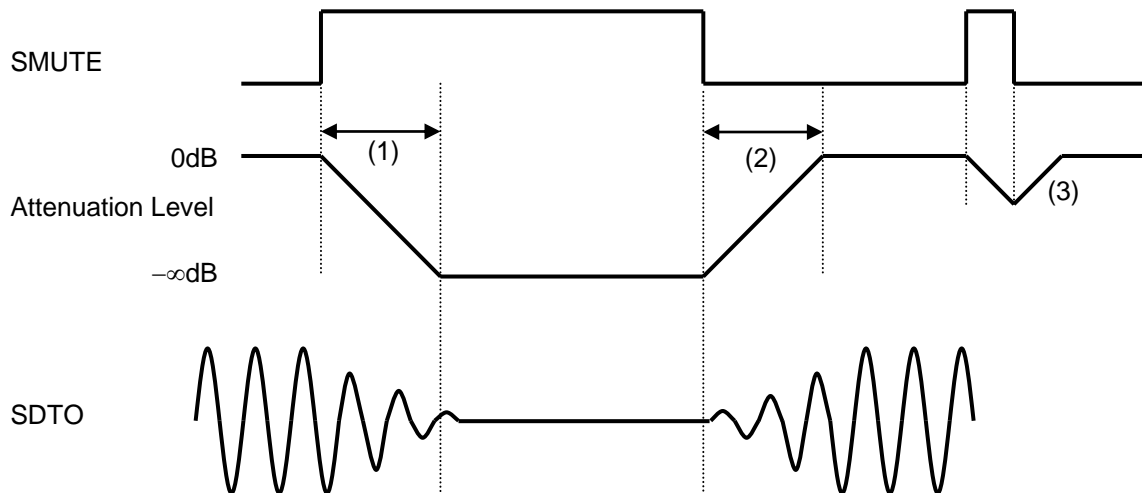


Figure 15. Soft Mute

- (1) The output data is attenuated to $-\infty$ ("0") in 1024 OLRCK cycles by setting the SMUTE pin= "H".
- (2) The attenuation level returns to 0dB in 1024 OLRCK cycles by setting the SMUTE pin= "L".
- (3) If the soft mute is cancelled within 1024 OLRCK cycles, attenuation is discontinued and the attenuation level is returned to 0dB by the same cycle.

■ Regulator

The AK4133 has an internal regulator which suppresses the voltage to 1.8V from DVDD (3.3V). The generated 1.8V power is used as power supply for internal circuit. When over-current is flowed to the regulator output, over-current detection circuit works. When over-voltage is flowed to the regulator output, over-voltage detection circuit works. The regulator block is powered-down and the AK4133 becomes reset state when over-current detection circuit or over-voltage detection circuit is operated. The AK4133 does not return to normal operation without a reset by the PDN pin when these detection circuits are worked. When over-current or over-voltage is detected, the PDN pin should be brought into "L" at once, and should be set to "H" again to recover normal operation.

The SRCE_N pin indicates the internal status of the device. It outputs "L" in SRC normal operation, and outputs "H" when over-current or over-voltage is detected.

■ Power Supply

The AK4133 supports 1.8V and 3.3V power supply voltages. Set the VSEL pin according to applying voltage. The VSEL pin should be set to "L" when using a 3.3V power supply. The internal regulator is turned ON and 1.8V power for internal circuits will be generated using 3.3V power from the DVDD pin. The VSEL pin should be set to "H" when using a 1.8V power supply. The internal regulator is turned OFF and the V18 pin becomes power supply pin for internal circuits.

■ System Reset

Bringing the PDN pin = "L" sets the AK4133 power-down mode and initializes the digital filters. The AK4133 should be reset once by bringing the PDN pin to "L" upon power-up. The internal SRC circuit is powered-up on ILRCK and OLRCK input after a power-up period of the internal regulator (PDN pin = "H"). The data output time of the SDTO pin depends on the LRCK and OLRCK input when the PDN pin = "H". (Figure 16, Figure 17)

Case 1: ILRCK and OLRCK are input when the PDN pin= "H"

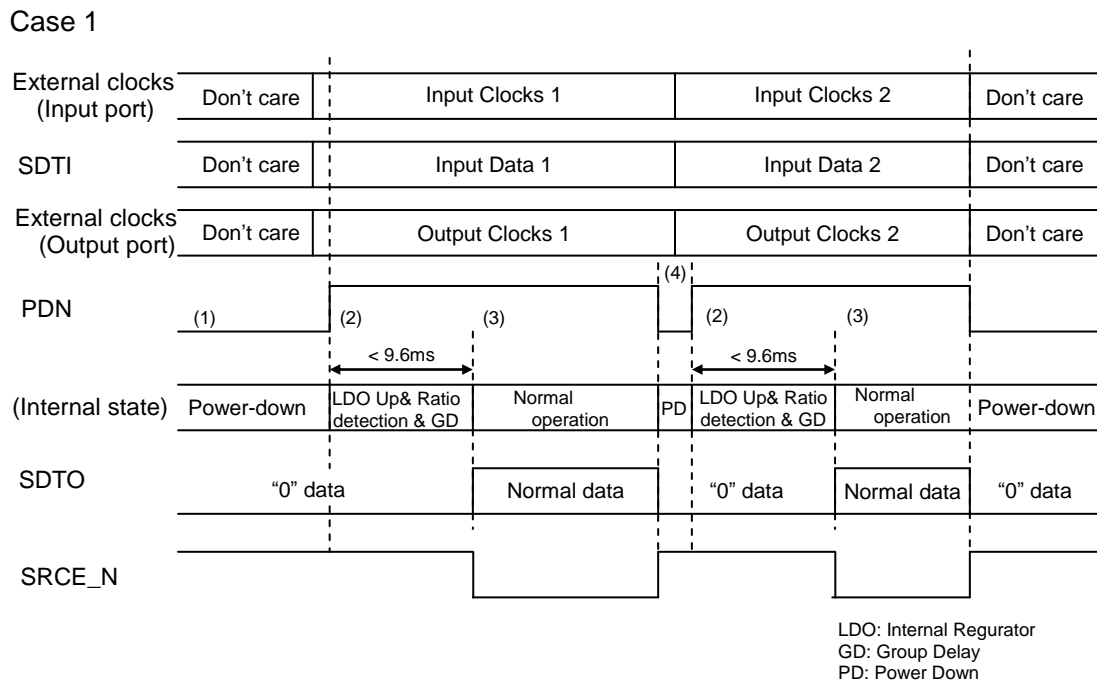


Figure 16. System Reset Case1

- (1) The SDTO pin outputs "L" and the SRCE_N pin outputs "H" when the PDN pin= "L".
- (2) The Internal regulator is powered up by bringing the PDN pin = "H" after operation clock is input. Then, SRC circuit is powered up and starts Ratio detection by ILRCK and OLTCK. SDTO is output after group delay period when Ratio detection is completed. Until then the SDTO outputs "L" and the SRCE_N pin outputs "H". The time until SDTO output become enabled after setting the PDN pin to "H" is 9.6msec (Max.).
- (3) The SRCE_N pin outputs "L" when SDTO data output becomes enabled.
- (4) The statuses of the CM1-0, ODIF and IDIF pins should be changed while the PDN pin= "L".

Case2: ILRCK and OLRCK are not input when the PDN pin= "H"

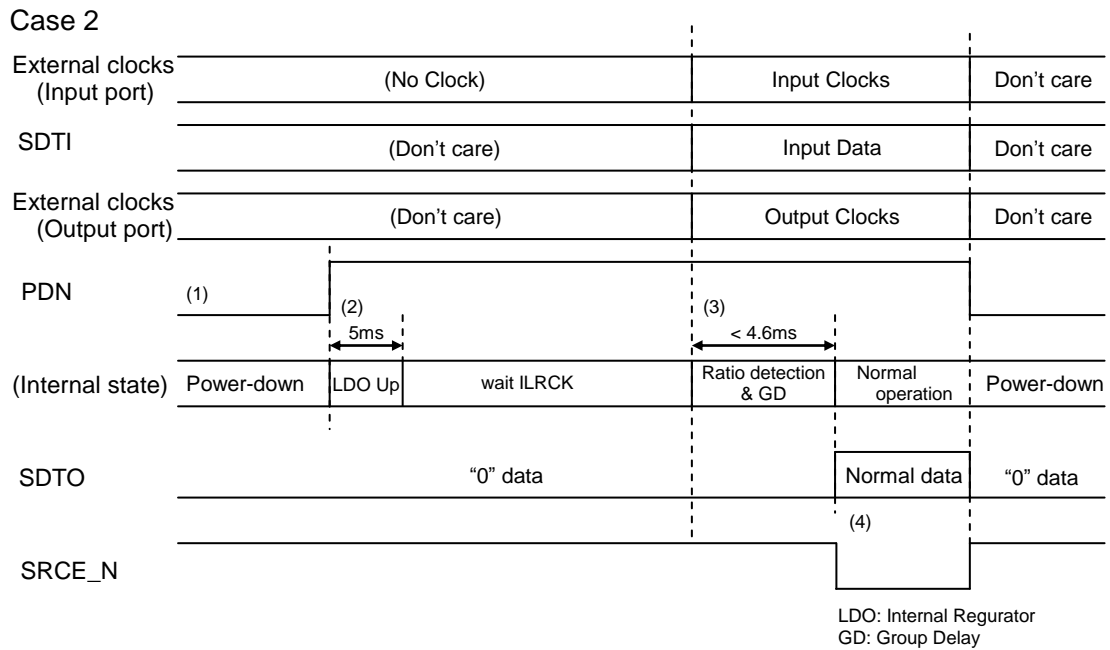


Figure 17. System Reset Case2

- (1) The SDTO pin outputs "L" and the SRCE_N pin outputs "H" when the PDN pin= "L".
- (2) The internal regulator is powered up by PDN pin = "H" and wait for ILRCK and OLRCK.
- (3) SRC circuit is powered up and sampling frequency ratio detection starts when ILRCK and OLRCK are input. SDTO output starts after group delay period when the frequency ratio detection is completed. Until then, the SDTO output is "L" and the SRCE_N pin outputs "H". The time until SDTO output becomes enabled after ILRCK and OLPCK input is 4.6msec (Max.).
- (4) The SRCE_N pin outputs "L" when SDTO data output becomes enabled.

■ Clock Switch Sequence

The AK4133 must be reset by bringing the PDN pin to “L” when changing operation clocks. Clock change sequence is shown in Figure 18.

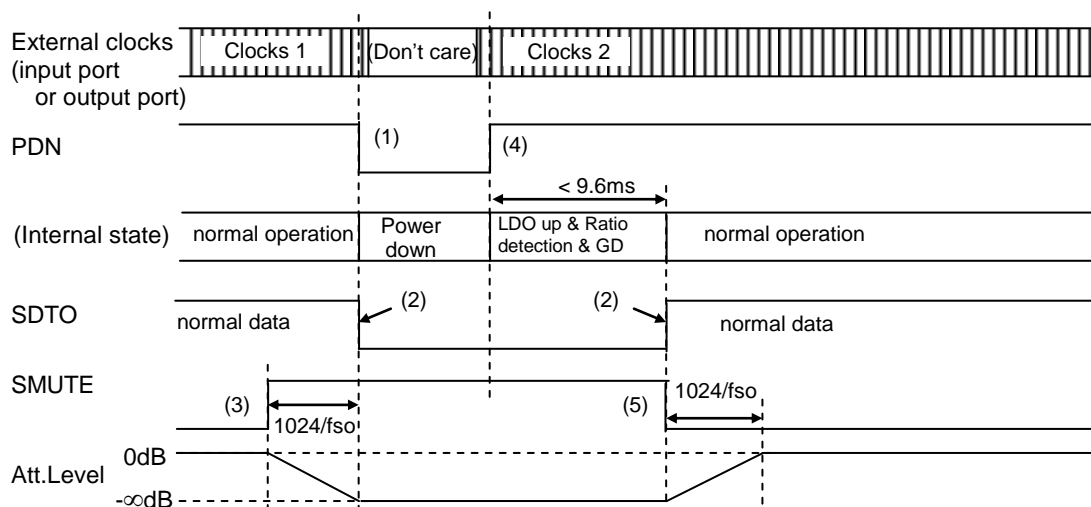


Figure 18. Clock Change Sequence

- (1) Set the PDN pin to “L”, and change clock frequencies of the IDIF pin, ODIF pin and CM1-0 pins.
- (2) Click noise may occur when the SDTO output is changed.
- (3) Mute the SDTO output by setting the SMUTE pin to “H” before setting the PDN pin to “L” if the click noise influences system applications. This click noise can also be prevented by setting “0” to the SDTI from GD before the PDN pin changes to “L”. It makes the data on SDTO remain as “0”.
- (4) Set the PDN pin to “H” after changing the clock of the IDIF pin, ODIF pin or CM1-0 pins.
- (5) Set the SMUTE pin to “L” to release the soft mute if the soft mute function is enabled.

The AK4133 has automatic internal reset function for when ILRCK or OLRCK frequency is changed. The behavior of the device when ILRCK or OLRCK frequency is changed is shown below.

- When the frequency of ILRCK at input port is changed without a reset by the PDN pin.

When the difference of internal oscillator clock number in one ILRCK cycle between before and after changing ILRCK frequency (FSO/FSI ratio should be stabilized) is more than $1/16$ for 8cycles (*), an internal reset is made automatically and sampling frequency ratio detection is executed again.

The SDTO pin outputs “L” when the internal reset is made, and SRC data is output after $162FSI(O)$ ($FSI(O)$ is lower frequency between FSI and FSO).

When the above condition (*) is not satisfied, the internal reset mentioned before will not be executed. It takes $5148/FSO$ (max. 116.7ms @ $FSO=44.1kHz$) (* 18) to output normal SRC data. Distorted data may be output until normal SRC output.

When ILRCK is stopped, an internal reset is executed automatically. It takes $162FSI(O)$ ($FSI(O)$ is lower frequency between FSI and FSO) to output normal SRC data after ILRCK is input again.

- When the frequency of OLRCK at output port is changed without a reset by the PDN pin

When the difference of internal oscillator clock number in one OLRCK cycle between before and after changing OLRCK frequency (FSO/FSI ratio should be stabilized) is more than 1/16 for 8cycles (*), an internal reset is made automatically and sampling frequency ratio detection is executed again. SDTO outputs “L” when the internal reset is made, and SRC data is output after 162FSI(O) (FSI(O) is lower frequency between FSI and FSO).

When the above condition (*) is not satisfied, the internal reset mentioned before will not be executed. It takes $5148/\text{FSO}$ (max. 116.7msec @FSO=44.1kHz) (* 18) to output normal SDTO data. Distorted data may be output until normal SDTO output.

When OLRCK is stopped, an internal reset is executed automatically. It takes 162FSI(O) (FSI(O) is lower frequency between FSI and FSO) [sec] to output normal SDTO data after OLRCK is input again.

Notes:

* 18. When FSO=8kHz and FSO/FSI ratio is changed from 1/6 to 1/5.99.

■ Internal Status Pin

The SRCE_N pin outputs internal state of the device. It outputs “H” while the PDN pin = “L”. SRC data is output from the SDTO pin when the PDN pin = “H” and the sampling frequency ratio detection is completed if the internal regulator is operated normally.

An internal limit flag is set when an over current or over voltage flows at the internal regulator. An ORed result of the internal limit flag and an inverted flag of the ratio detection completion of SRC is output from the SRCE_N pin.

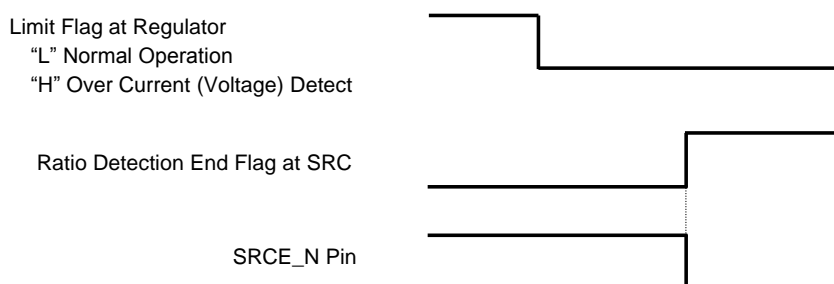


Figure 19. Internal Flag and SRCE_N Pin Output

■ Grounding and Power Supply Decoupling

The AK4133 requires careful attention to power supply and grounding arrangements. Decoupling capacitors should be placed as near as possible to the supply pins.

14. Jitter Tolerance

Figure 20 shows the jitter tolerance to ILRCK and IBICK. The jitter quantity is defined by the jitter frequency and the jitter amplitude. When the jitter amplitude is 0.02UIpp or less, the AK4133 operates normally regardless of the jitter frequency.

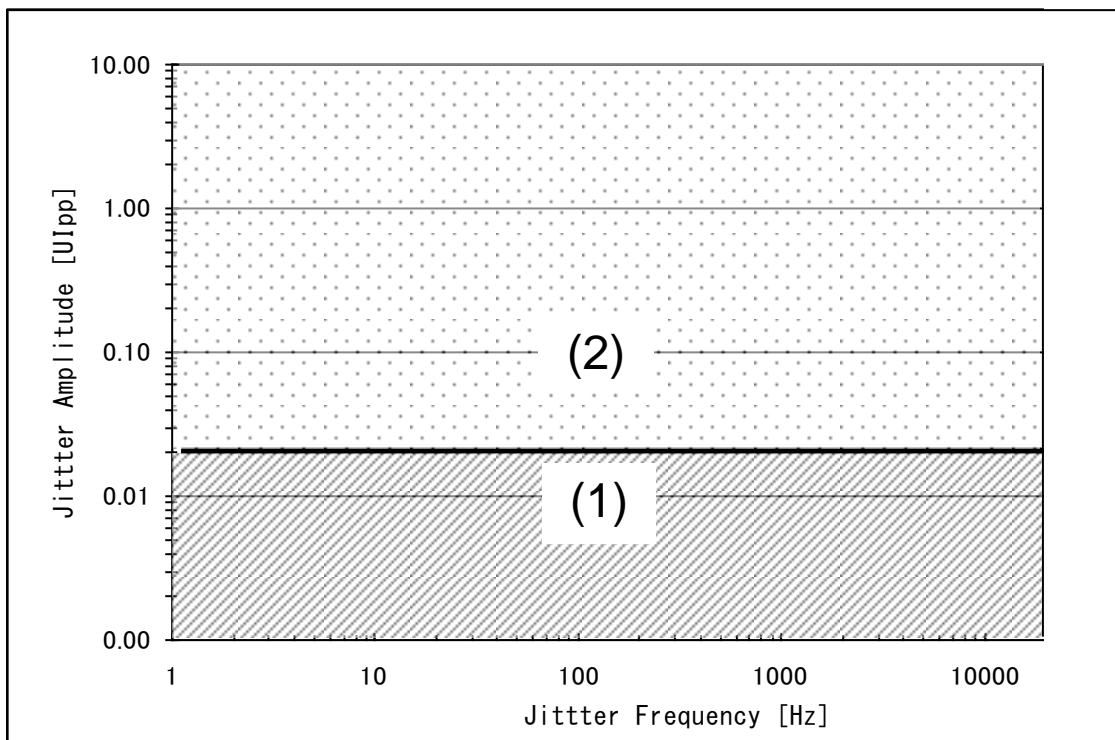


Figure 20. Jitter Tolerance

This is an evaluation result with synchronous input data to ILRCK and IBICK when jitter is added. The area (1) and (2) border is the the jitter amplitude of ILRCK just before THD+N degradation starts. Please use the jitter amplitude of the area (1).

- (1) Normal Operation
- (2) There is a possibility that the output data is lost.

1UI (Unit Interval) is one cycle of IBICK. $1[\text{UIpp}] = 1/48\text{kHz} = 20.8\mu\text{sec}$ when FSI is 48kHz.

15. Recommended External Circuits

Figure 21 and Figure 22 show the system connection diagram.

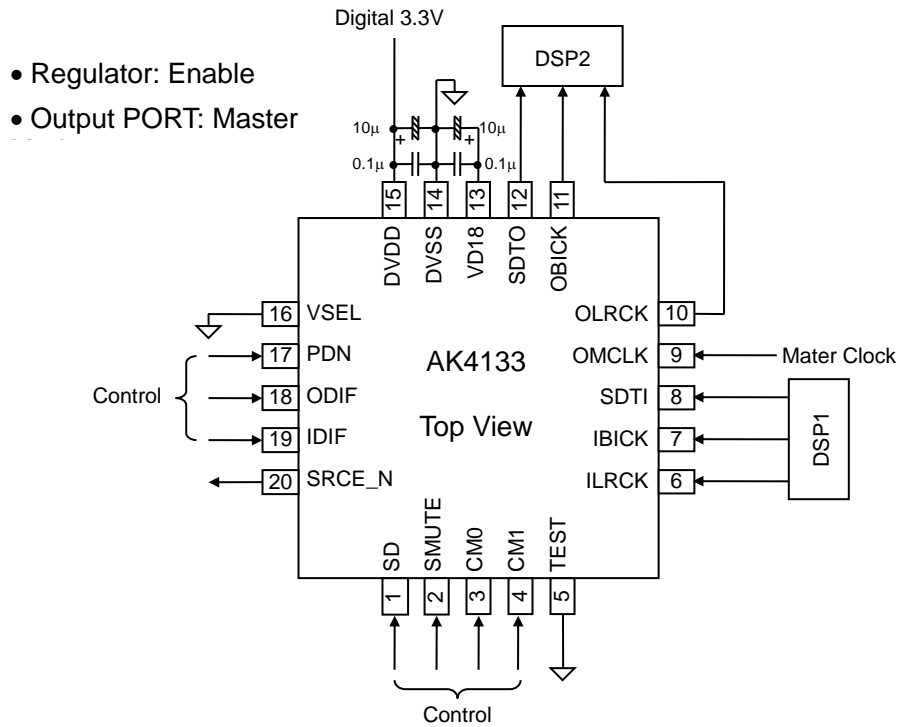


Figure 21. Typical Connection Diagram (Output Port: Master Mode, Regulator: Enable)

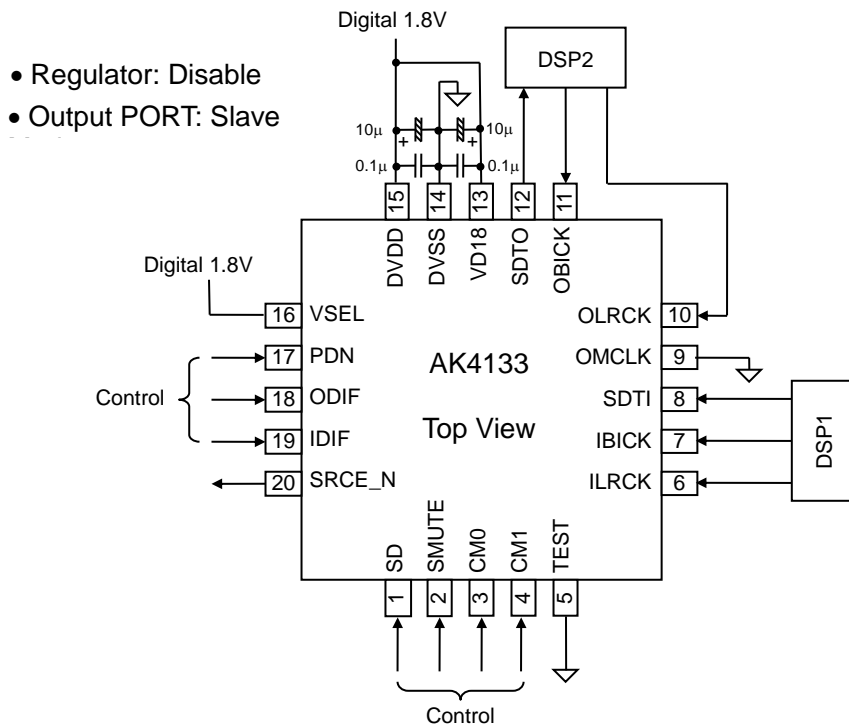
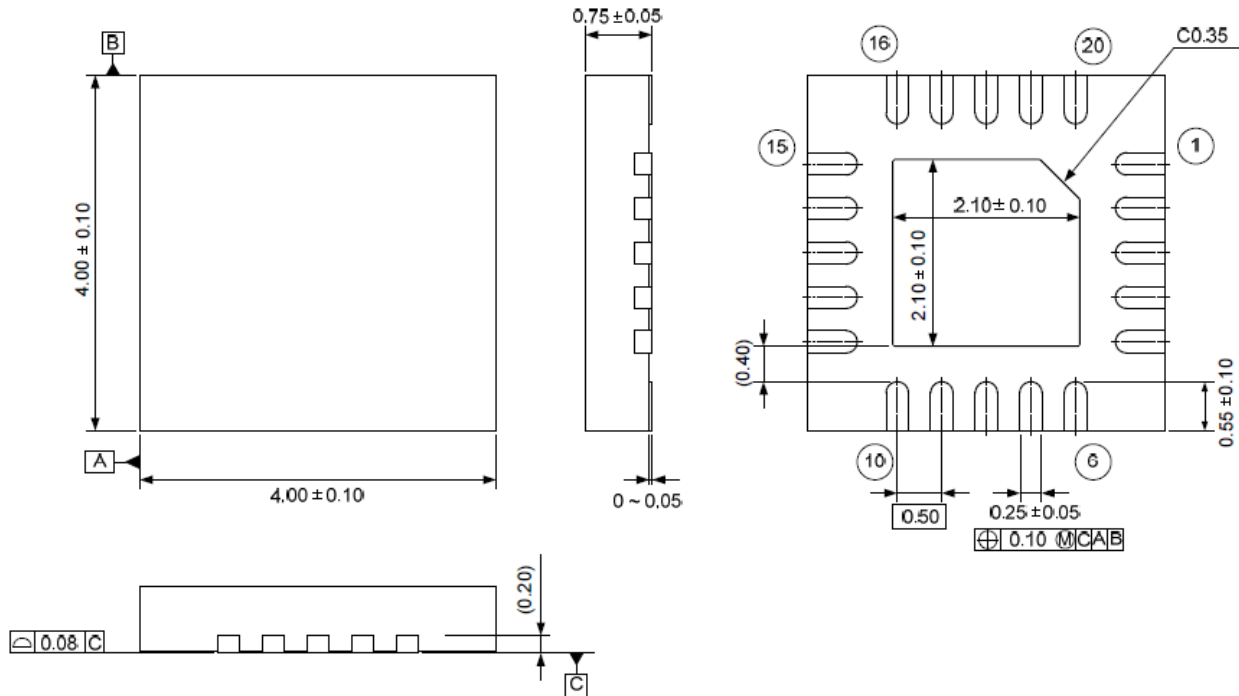


Figure 22. Typical Connection Diagram (Output Port: Slave Mode, Regulator: Disable)

16. Package

■ **Outline Dimenstions**

20-pin QFN (Unit: mm)

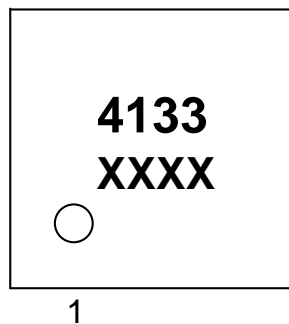


* 19. The exposed pad on the bottom surface of the package must be open or connected to DVSS.

■ **Material & Lead Finish**

| | |
|---------------------------|------------------------|
| Package Molding Compound: | Epoxy |
| Lead Frame Material: | Cu |
| Pin Surface Treatment: | Solder (Pb free) Plate |

■ **Marking**



- 1) Pin #1 indication
- 2) Date Code : XXXX (4 digits)
- 3) Marketing Code : 4133

17. Ordering Guide

AK4133VN -40 ~ 105°C 20-pin QFN (0.5mm pitch)
AKD4132 Evaluation Board for AK4132

18. Revision History

| Date (Y/M/D) | Revision | Reason | Page | Contents |
|--------------|----------|---------------|------|----------|
| 16/01/19 | 00 | First Edition | | |

IMPORTANT NOTICE

0. Asahi Kasei Microdevices Corporation ("AKM") reserves the right to make changes to the information contained in this document without notice. When you consider any use or application of AKM product stipulated in this document ("Product"), please make inquiries the sales office of AKM or authorized distributors as to current status of the Products.
1. All information included in this document are provided only to illustrate the operation and application examples of AKM Products. AKM neither makes warranties or representations with respect to the accuracy or completeness of the information contained in this document nor grants any license to any intellectual property rights or any other rights of AKM or any third party with respect to the information in this document. You are fully responsible for use of such information contained in this document in your product design or applications. AKM ASSUMES NO LIABILITY FOR ANY LOSSES INCURRED BY YOU OR THIRD PARTIES ARISING FROM THE USE OF SUCH INFORMATION IN YOUR PRODUCT DESIGN OR APPLICATIONS.
2. The Product is neither intended nor warranted for use in equipment or systems that require extraordinarily high levels of quality and/or reliability and/or a malfunction or failure of which may cause loss of human life, bodily injury, serious property damage or serious public impact, including but not limited to, equipment used in nuclear facilities, equipment used in the aerospace industry, medical equipment, equipment used for automobiles, trains, ships and other transportation, traffic signaling equipment, equipment used to control combustions or explosions, safety devices, elevators and escalators, devices related to electric power, and equipment used in finance-related fields. Do not use Product for the above use unless specifically agreed by AKM in writing.
3. Though AKM works continually to improve the Product's quality and reliability, you are responsible for complying with safety standards and for providing adequate designs and safeguards for your hardware, software and systems which minimize risk and avoid situations in which a malfunction or failure of the Product could cause loss of human life, bodily injury or damage to property, including data loss or corruption.
4. Do not use or otherwise make available the Product or related technology or any information contained in this document for any military purposes, including without limitation, for the design, development, use, stockpiling or manufacturing of nuclear, chemical, or biological weapons or missile technology products (mass destruction weapons). When exporting the Products or related technology or any information contained in this document, you should comply with the applicable export control laws and regulations and follow the procedures required by such laws and regulations. The Products and related technology may not be used for or incorporated into any products or systems whose manufacture, use, or sale is prohibited under any applicable domestic or foreign laws or regulations.
5. Please contact AKM sales representative for details as to environmental matters such as the RoHS compatibility of the Product. Please use the Product in compliance with all applicable laws and regulations that regulate the inclusion or use of controlled substances, including without limitation, the EU RoHS Directive. AKM assumes no liability for damages or losses occurring as a result of noncompliance with applicable laws and regulations.
6. Resale of the Product with provisions different from the statement and/or technical features set forth in this document shall immediately void any warranty granted by AKM for the Product and shall not create or extend in any manner whatsoever, any liability of AKM.
7. This document may not be reproduced or duplicated, in any form, in whole or in part, without prior written consent of AKM.